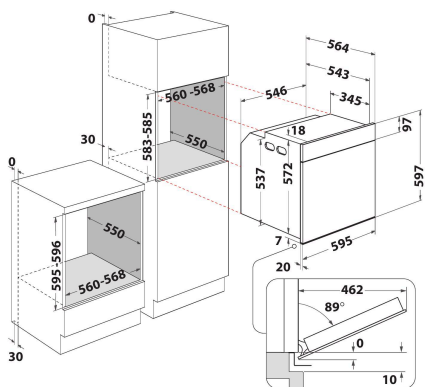


HOI78PPT1SBUK

12NC: F168257

GTIN (EAN) code: 5054645682577

Hotpoint



MAIN FEATURES

Product group	Oven
Commercial code	HOI78PPT1SBUK
Main colour of product	Black
Construction type	Built-in
Type of control	Electronic
Type of control settings	-
Are any hobs controls integrated?	No
Which kind of hobs can be controlled?	N/A
Automatic programmes	Yes
Current (A)	13
Voltage (V)	220-240
Frequency (Hz)	50
Length of electrical supply cord (cm)	130
Plug type	UK
Depth with open door 90 degree (mm)	-
Height of the product	597
Width of the product	595
Depth of the product	564
Minimum niche height	583
Minimum niche width	560
Niche depth	550
Net weight (kg)	39.7
Usable volume (of cavity)	73
Integrated Cleaning system	Pyrolytic+Hydrolytic
Grids of the cavity	2
Trays	2

TECHNICAL FEATURES

Timer	Yes
Time control	Electronic
Time-setting options	Start and Stop
Safety device	-
Interior light	Yes
Number of interior lights of the cavity	1
Position of interior lights of the cavity	Rear
Oven guides of the cavity	Telescopic
Probe of the cavity	No

PERFORMANCES

Energy input	Electric
Type of energy of the cavity	Electricity
Energy efficiency class - NEW (2010/30/EU)	A+
Energy consumption per cycle conventional - NEW (2010/30/EU)	0.64
Energy consumption per cycle forced air convection - NEW (2010/30/EU)	0.87